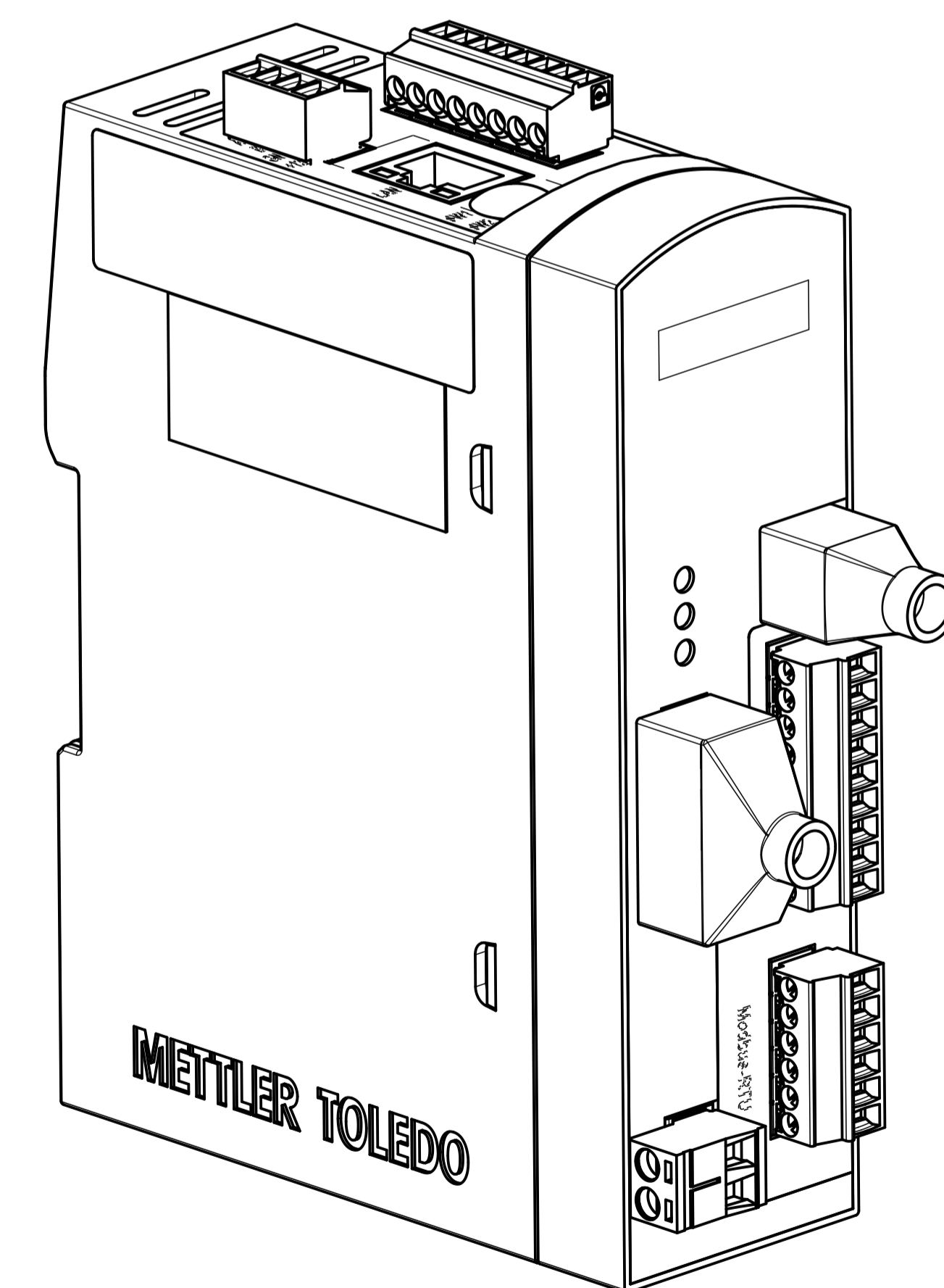
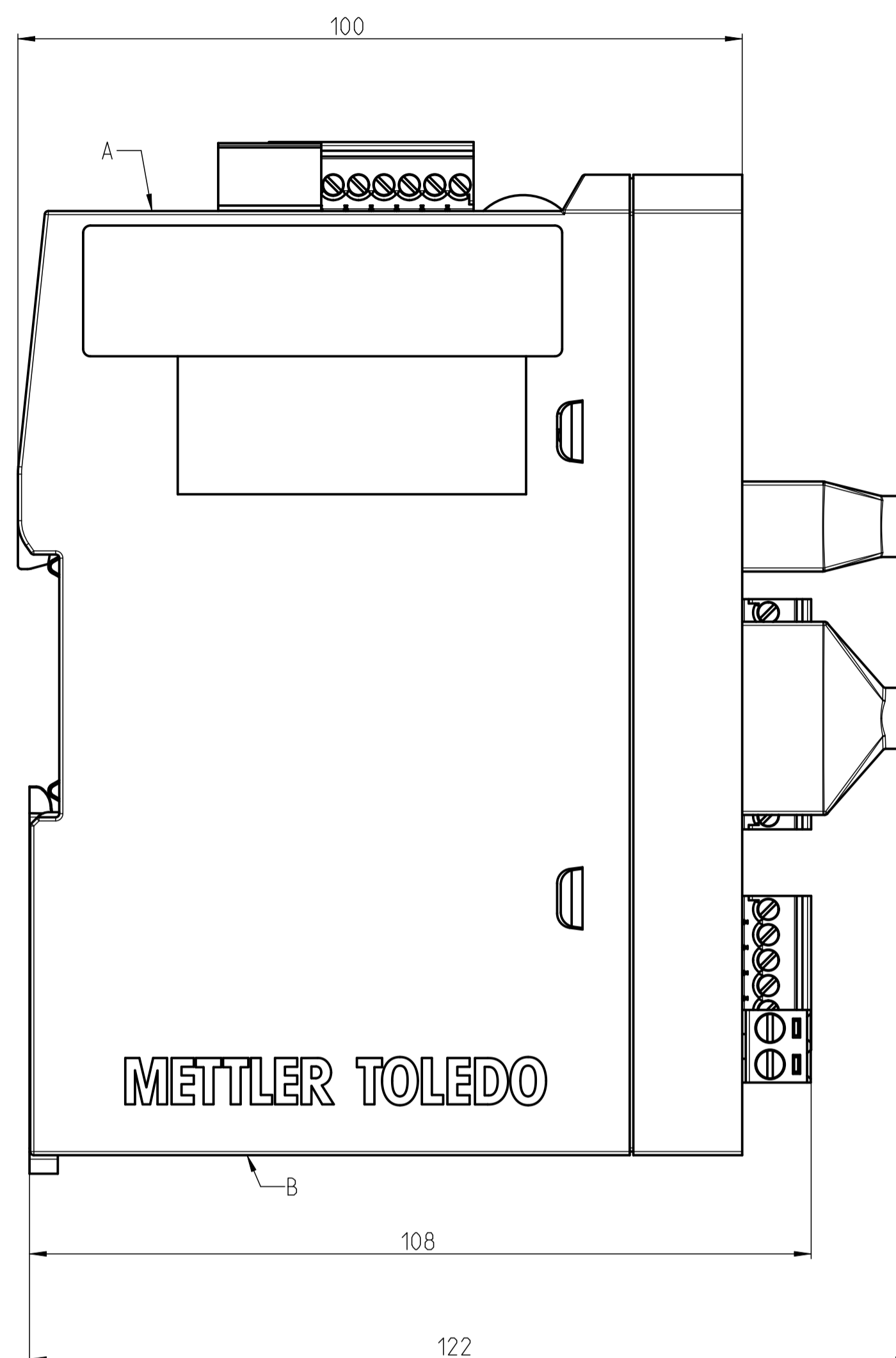
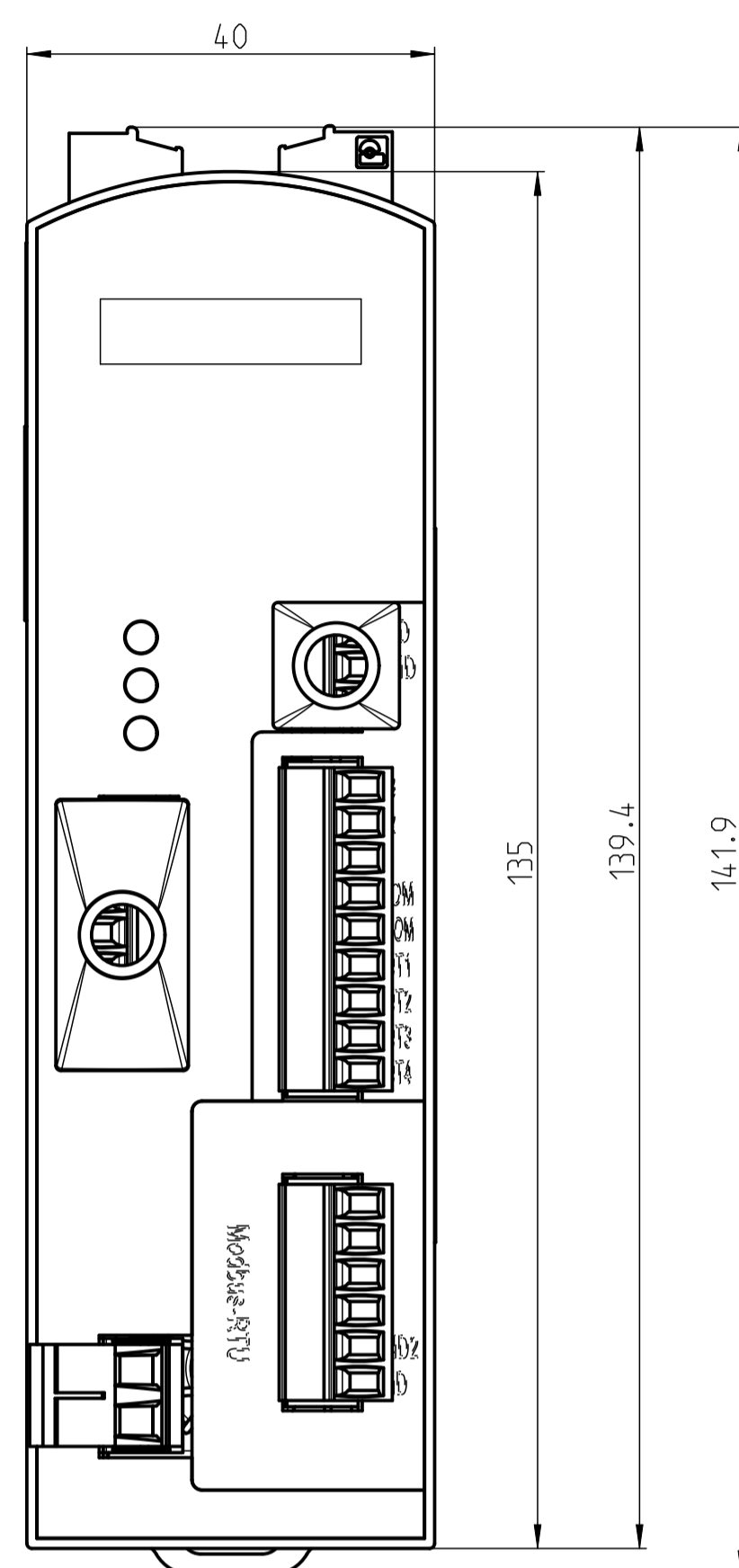
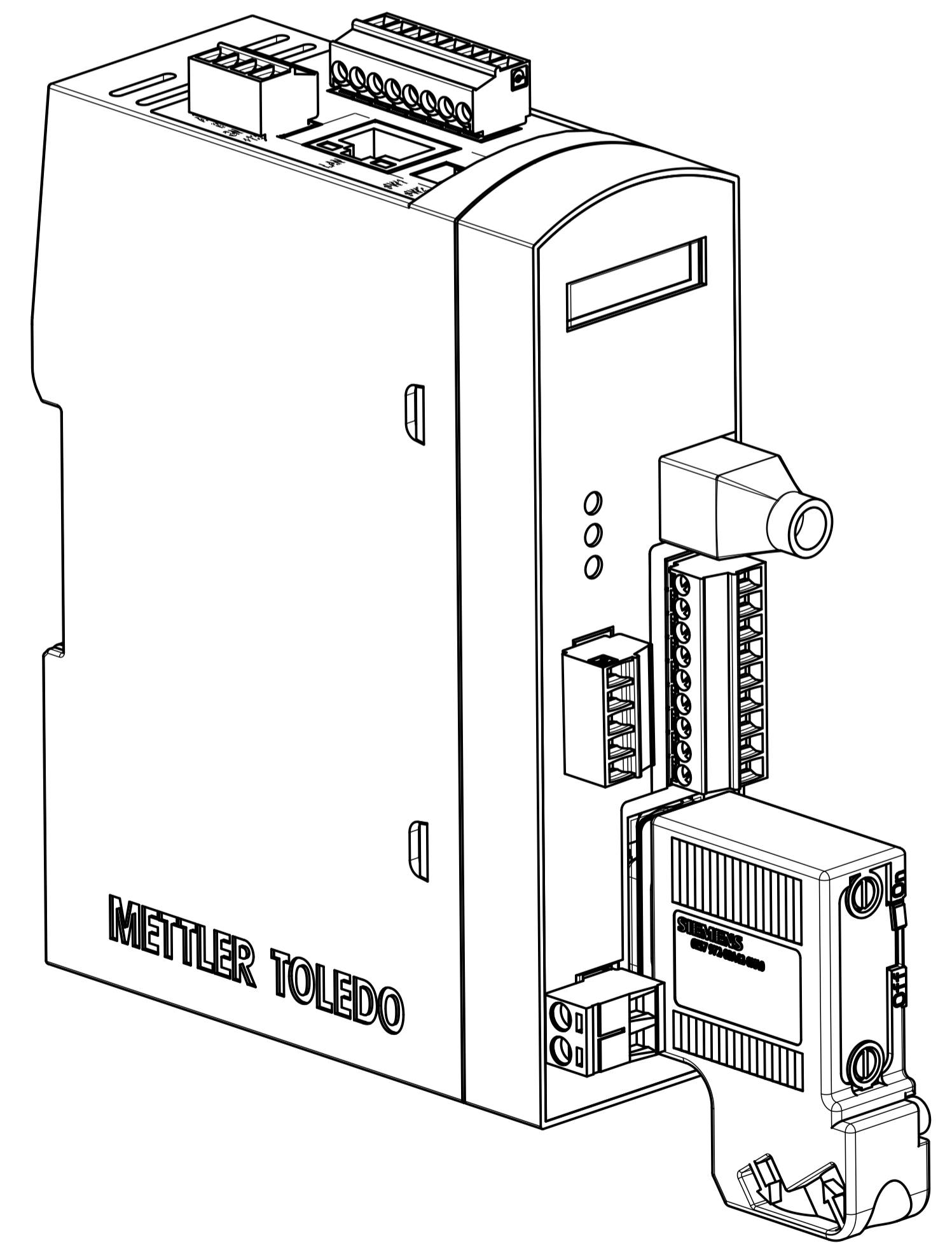
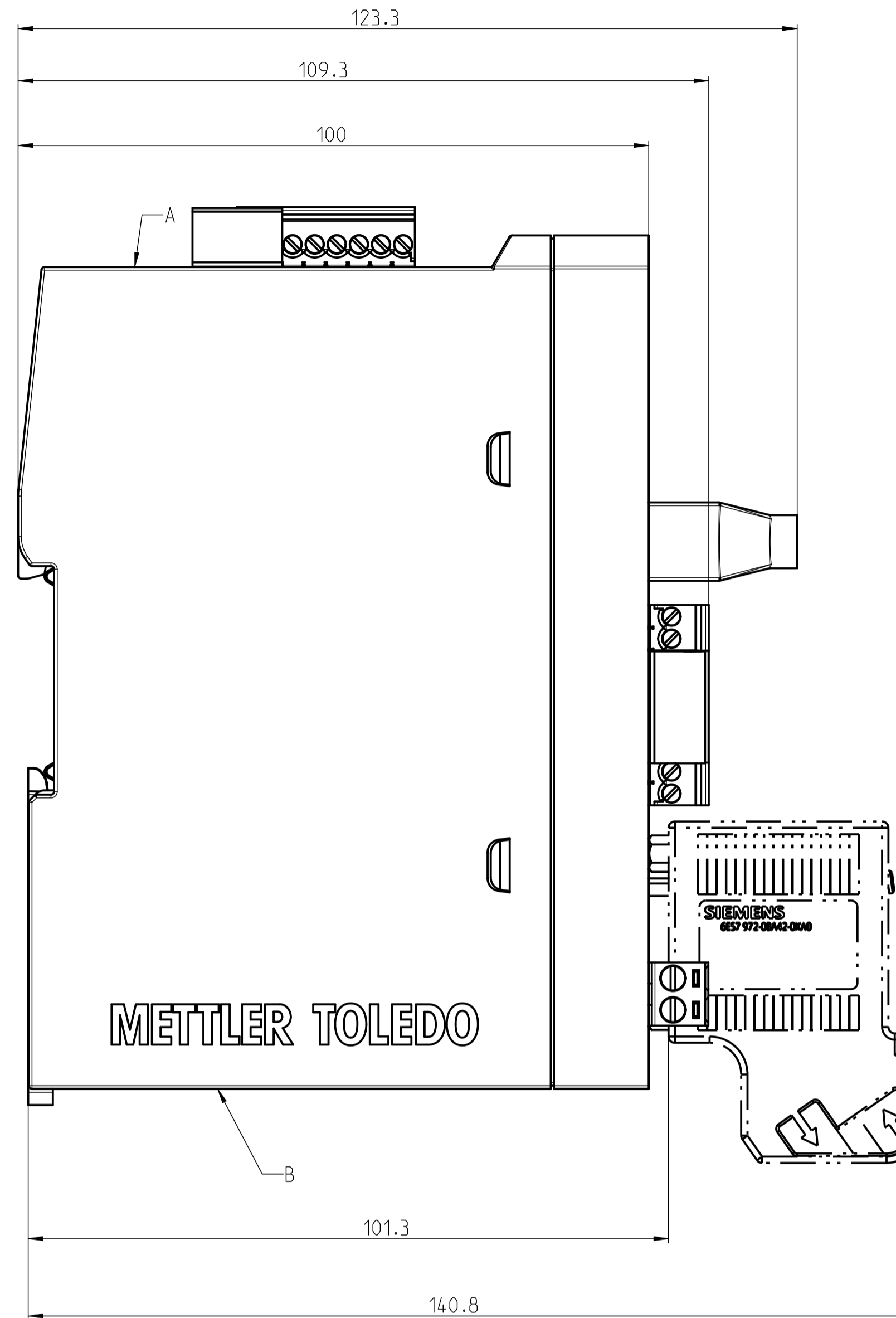
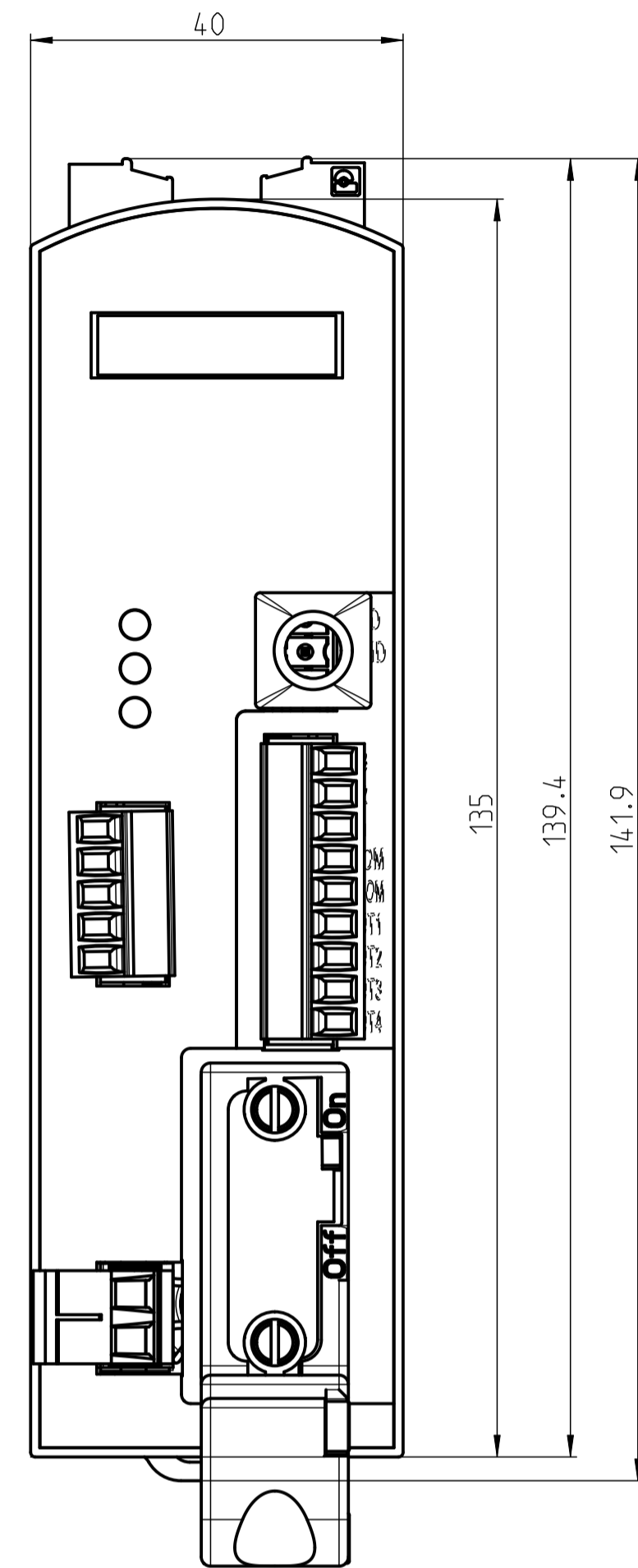


"A" and "B" surface shall be kept free for venting



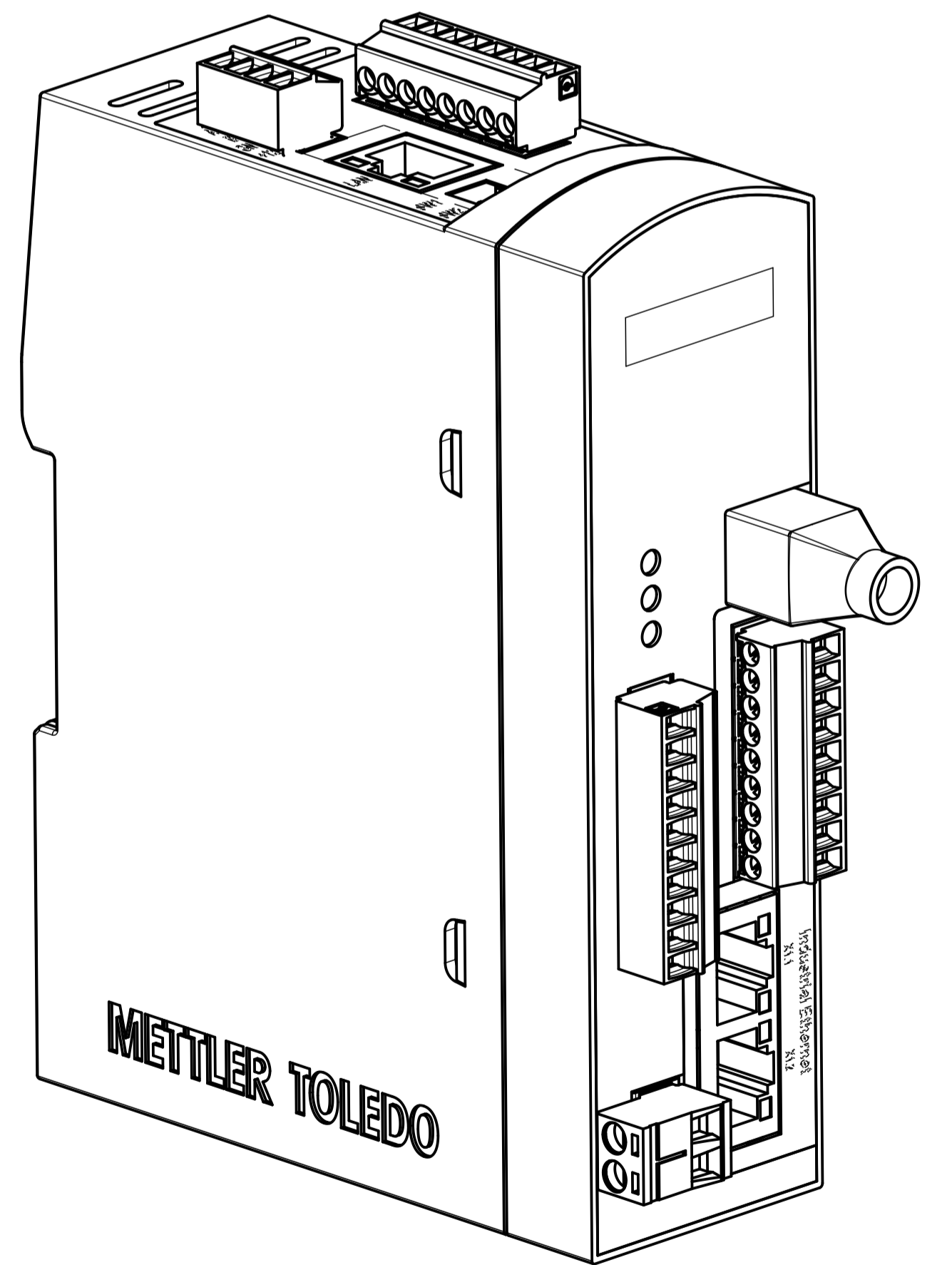
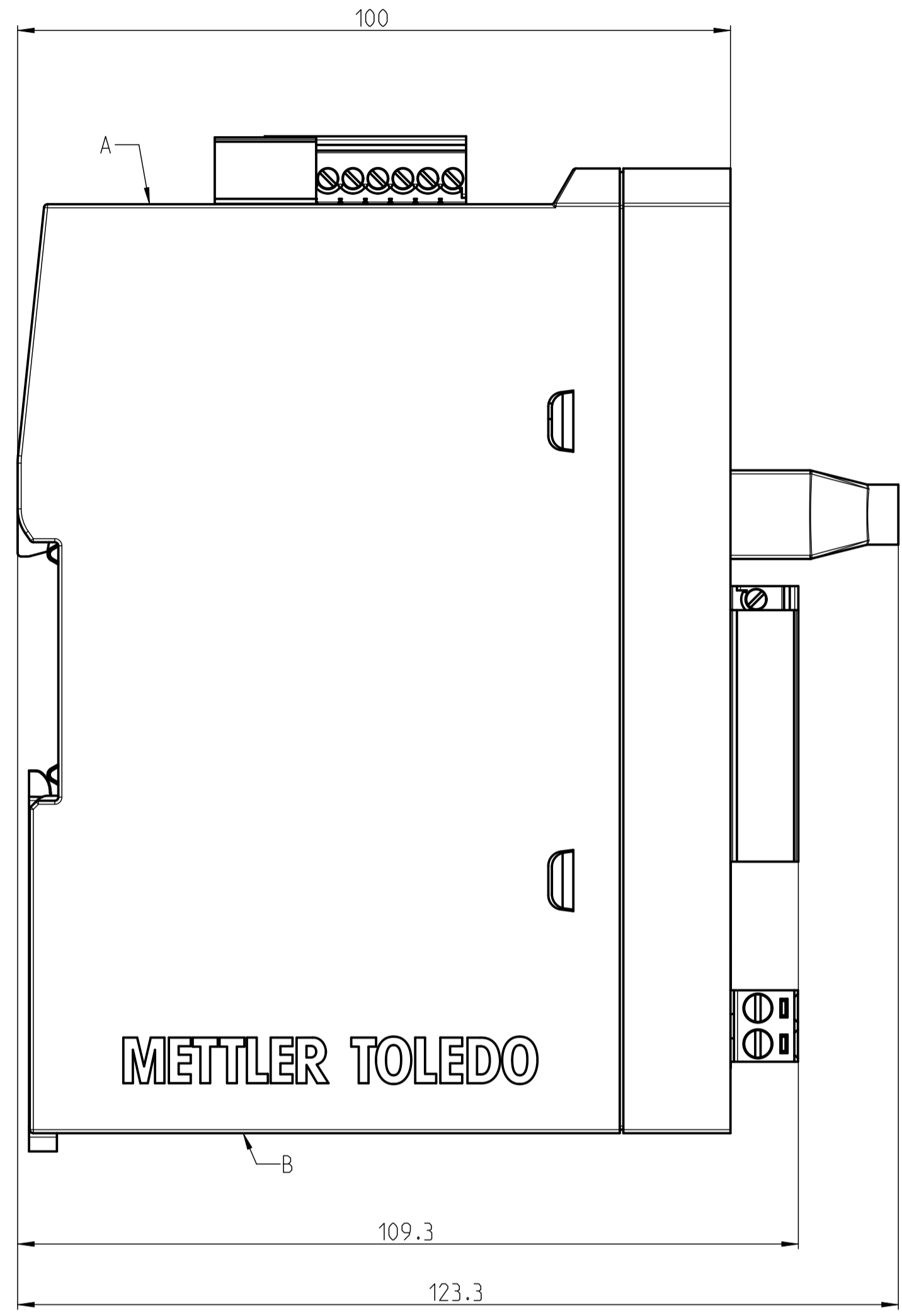
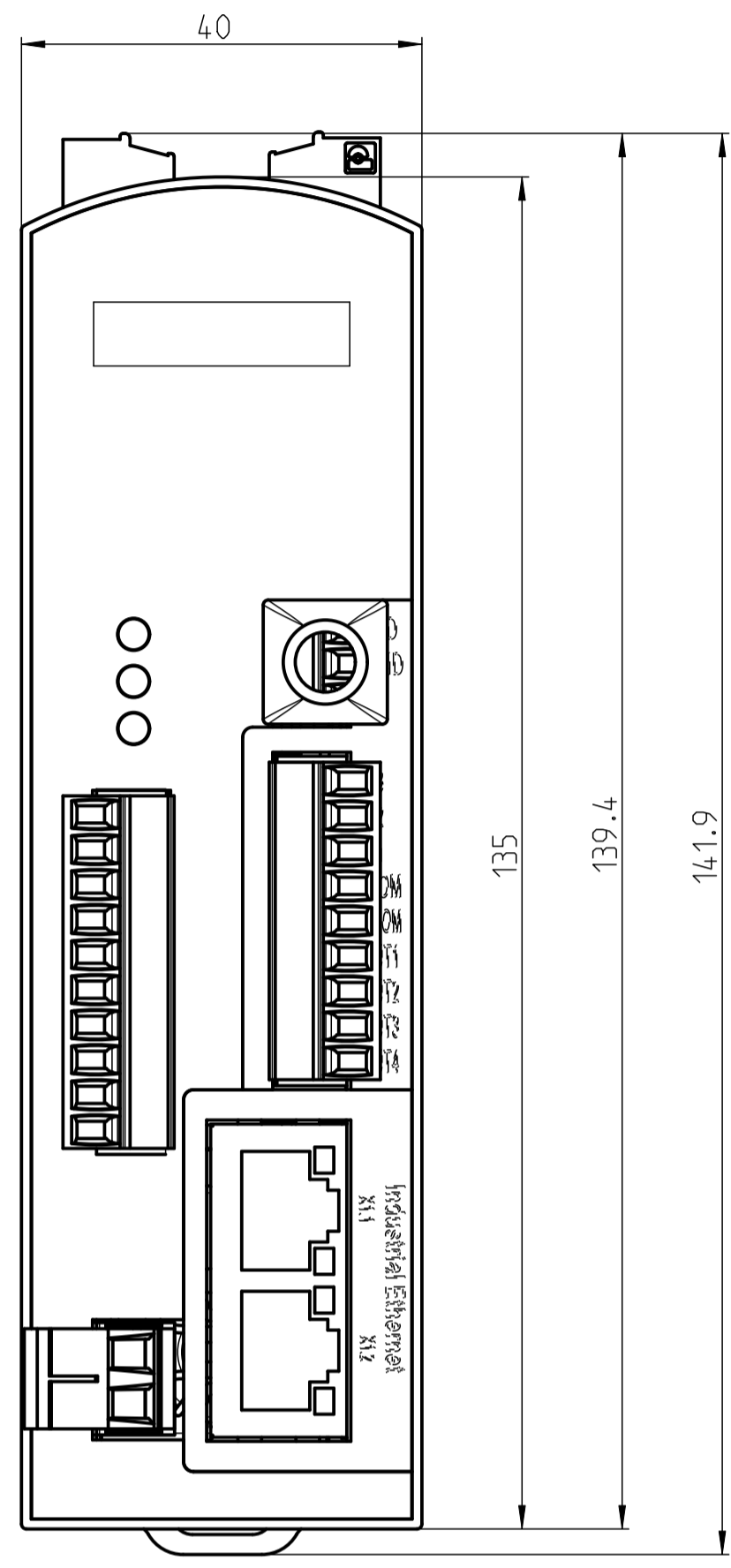
METTLER TOLEDO		Drawn	Li, Ren	12-Mar-2021	Scale	1:1
Refer to protection notice ISO 16016 / Schutzvermerk ISO 16016 beachten		Change	-	-	Format	DIN A1
Description		Note	-	-	Replaces	-
IND360 DIN ANALOG		No. >	-	-	ERP No.	30553520
Model: 30553520	Rev: A	Drawing: 30553520	Rev: A	Status:	Units: MM	2/4

"A" and "B" surface shall be kept free for venting



METTLER TOLEDO		Drawn	Li, Ren	12-Mar-2021	Scale	1:1
Refer to protection notice ISO 16016 / Schutzvermerk ISO 16016 beachten		Change	-	-	Format	DIN A1
Description		Note	-	-	Replaces	-
IND360 DIN POWERCELL		No. >	-	-	ERP No.	30553520
Model: 30553520	Rev: A	Drawing: 30553520	Rev: A	Status:	Units: MM	3/4

"A" and "B" surface shall be kept free for venting



METTLER TOLEDO		Drawn	Li, Ren	12-Mar-2021	Scale	1:1
Refer to protection notice ISO 16016 / Schutzvermerk ISO 16016 beachten		Change	-	-	Format	DIN A1
Description		Note	-	-	Replaces	-
IND360 DIN Precision		No. >	-	ERP No.	30553520	
Model: 30553520 Rev: A Drawing: 30553520 Rev: A		Status:	-	-	Units:	MM 4/4