

Mobile, Hygienic, Flexible and Accurate BTA439s / BTA469s



Advanced Mobile Weighing

The BTA4x9s pallet truck scale is the more advanced model of the METTLER TOLEDO product range. Designed for applications in the food, pharmaceutical and chemical industry. Optionally available with a printer, WiFi or as OIML certified Legal for Trade version. The mobile scale for production facilities.



FlexBolts for Superb Accuracy

During use of a pallet truck scale its chassis is subject to stress caused by the load lifted. The unique FlexBolt load-cell fixation eliminates potential negative influence on the measurement. This results in a superb accuracy and repeatability.



Continuous Operation

Thanks to the rechargeable battery you can work without interruptions. The BTA4x9s is powered by a 7Ah Pb rechargeable battery. The charger is easy to connect. For intensive use of the pallet truck scale a more sustainable NiMH exchangeable battery pack is available as an option.



Mobile Weighing = Cost Saving

The BTA4x9s is designed for use in tough warehouse applications and production facilities. The system is based on 4 loadcells, 1000 kg each. A built-in rechargeable battery powers the weighing system and provides enough energy to work a whole day on a fully charged battery. This integrated power supply enables you to weigh anywhere the pallet truck goes.

Mobile weighing means cost saving. You can work more efficient by bringing the scale to the load instead of moving the load to the scale. WiFi output integrates the BTA4x9s in your WLAN and can be used just like stationary wired network scales. Mobile, Flexible and Accurate.

The BTA4x9s offers:

- Full stainless steel pallet truck
- A large display with height adjustable characters
- IP65 protection class
- Battery status in the display
- 7Ah built-in rechargeable battery

Technical Data

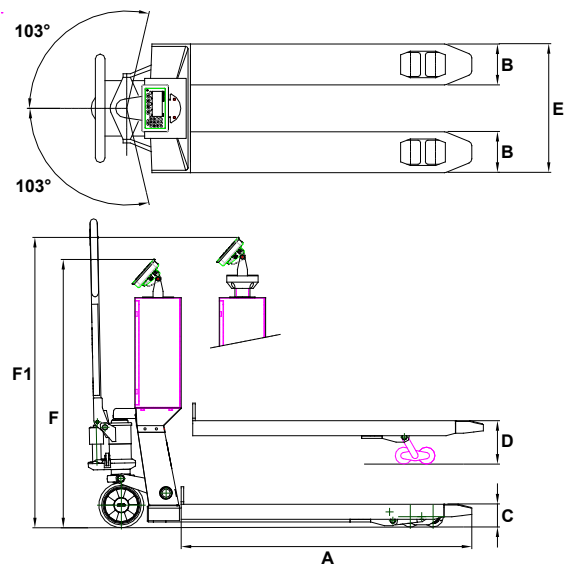
BTA4x9s

Weighing System

- 1500 kg capacity, or 2000 kg capacity
- 4 pcs of 1,000 kg loadcells
- ICS4x9 terminal, for mobile use
- Robust Swiss made 100% stainless steel pallet truck chassis
- System protection class IP65
- 7 Ah built-in rechargeable battery pack, battery charger included

Options

- OIML approved Legal for trade incl. FlexBolt loadcell mounting
- Built-in printer, or
- ICS6x9 terminal with built-in WiFi
- Sustainable NiMH battery solution
- Rotating indicator



Technical drawing

Specifications

Model	BTA439-RS1500	BTA439-RS2000	BTA469-RS1500	BTA469-RS2000
Terminal type	ICS439	ICS439	ICS469	ICS469
Capacity (kg)	600 / 1500	1000 / 2000	600 / 1500	1000 / 2000
Graduation, multirange (kg)	0,2 / 0,5	0,5 / 1	0,2 / 0,5	0,5 / 1
Max. inaccuracy	0.1% of the load lifted	0.1% of the load lifted	0.1% of the load lifted	0.1% of the load lifted
Minimum load (kg)	4	10	4	10
Battery capacity	7 Ah	7 Ah	7 Ah	7 Ah
Battery life, continuous use	25 hours	25 hours	25 hours	25 hours
Automatic switch-off when not used	After 15 minutes	After 15 minutes	After 15 minutes	After 15 minutes
Charging time	8 hours	8 hours	8 hours	8 hours
Charger	Included	Included	Included	Included
Steering wheels, with Corrotec bearings	Polyamid (Nylon)	Polyamid (Nylon)	Polyamid (Nylon)	Polyamid (Nylon)
Loading wheels, with Corrotec bearings	Polyamid, single	Polyamid, single	Polyamid, single	Polyamid, single
Scale material	100% stainless steel AISI 304/14301	100% stainless steel AISI 304/14301	100% stainless steel AISI 304/14301	100% stainless steel AISI 304/14301
Surface finish	Bead blasted	Bead blasted	Bead blasted	Bead blasted
Protection class	System IP65, load cells and terminal IP67	System IP65, load cells and terminal IP67	System IP65, load cells and terminal IP67	System IP65, load cells and terminal IP67
Terminal type with WiFi option	ICS639	ICS639	ICS669	ICS669
Dimensions in mm				
A Fork length	1150	1150	1150	1150
B Fork width	170	170	170	170
C Lowered fork height	90	90	90	90
D Maximum fork height	210	210	210	210
E Width over forks	540	540	540	540
F / F ¹ Height to top indicator	1080 / 1200	1080 / 1200	1090 / 1210	1090 / 1210



Mettler-Toledo AG

CH-8606 Greifensee
Switzerland
Phone +41 44 944 22 11
Fax +41 44 944 30 60

Subject to technical changes
© 11/2012 RAVAS Europe BV & Mettler-Toledo AG, Switzerland
Printed in the Netherlands
ts-lft-mt-lft-print-bta4x9s-en-eu-20121213

www.mt.com

For more information