

# Interactive Sales Promotions

## The New Self-service Shopping Experience



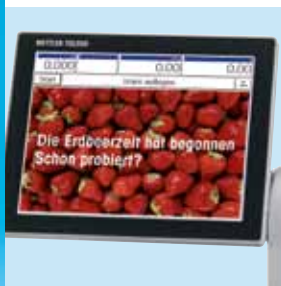
### User-Friendliness

Fast, interactive and extremely easy to operate, the touchscreen menu navigation of the UC-GTT-M offers your customers the utmost in ergonomics and convenience when choosing products. This means fast, problem-free weighing on the self-service scales – even at peak times – making long queues for your customers a thing of the past.



### Innovative Shopping Experience

The UC-GTT-M can be strategically integrated into your daily sales promotions when it's not in use for weighing. The splendid touchscreen display can be used as an effective self-service info terminal, displaying text, images or videos for original product presentations, recipe suggestions or special offers.



### Visual Sales Promotions

By advertising promotions and cross-selling offers on the self-service scale, you can increase impulse purchases and also your turnover for both your food and non-food ranges. Whether it's gourmet week, a salad dressing tip or time for a feast, The UC-GTT-M stirs up your customers' appetite and puts your offers in the forefront of their minds.



### State-of-the-Art Design

Slim, elegant and perfectly formed, the UC-GTT-M self-service scale fits perfectly in a modern and contemporary shop design. The daily maintenance of the scale is made easy thanks to its durable and easily cleanable surfaces.



### UC-GTT-M

High-end PC-based Scale with Touchscreen Control for Self-service Areas

The UC-GTT-M self-service scale is the perfect choice for retailers wanting to offer their customers maximum convenience from their self-service scales. With its fast processor and large working and hard disk memory space, the scale can also be used to advertise sales promotions on the touchscreen display or as an interactive self-service info terminal when it is not being used for weighing. User-friendly, interactive and highly accurate, the UC-GTT-M opens the door to a new level of self-service shopping for customers.

The UC-GTT-M is available in black and silver housing.

- **Visual sales promotions at the point of sale – encourages impulse purchases**
- **Powerful self-service info terminal – for an enhanced shopping experience**
- **Easy to use – high level of acceptance by customers**
- **Faster payment process – no more weighing at the till**

**For the Most Stringent Demands**

The UC Evo Max Line is the METTLER TOLEDO PC scale family for the most stringent demands. The UC Evo Max Line supports a wide variety of fresh food. It also supports CPU-intensive applications, such as multi-media sales promotions at the point of sale. The UC Evo Max Line will convince you with its easy networkability and support for third-party applications.

Technical data

**UC-GTT-M**

**Touchscreen**

- Touch-sensitive 12.1-inch (30.7 cm) screen
- Touchscreen with backlight LED technology
- Adjustable tilt angle
- Screen resolution: 800 x 600 pixels

**Printer options**

- 2-inch (54 mm) label printer
- 2-inch (54 mm) combined ticket and label printer; optional
- 2-inch (54mm) linerless printer; optional
- Printing speed: up to 125 millimeters/second
- Print resolution: 200 dpi
- Logo printing on ticket or label
- Printing of upper and lower case characters
- 101 fonts available for selection
- Freely definable labels

**Data storage**

- 250 GB hard drive
- SSD (optional)
- 2 GB RAM
- 4 GB RAM (optional)

**Interfaces and protocols**

- TCP/IP Ethernet interface (10/100)
- 1 x RS232 serial interface
- 1 x RJ11 interface for controlling the cash register drawer
- 2 x USB 2.0 connections
- Integrated wireless solution for wireless data transmission according to IEEE 802.11b/g/n standard (optional)

**Further Information**

Please refer to the respective application sheets for further details on the the performance and features of the UC3 software for METTLER TOLEDO PC scales and the optional METTLER TOLEDO applications.

**Remote maintenance and data communication**

- InTouch<sup>SM</sup> Remote Services
- FTP (File Transfer Protocol)
- VNC (Virtual Network Computing)

**Operating system**

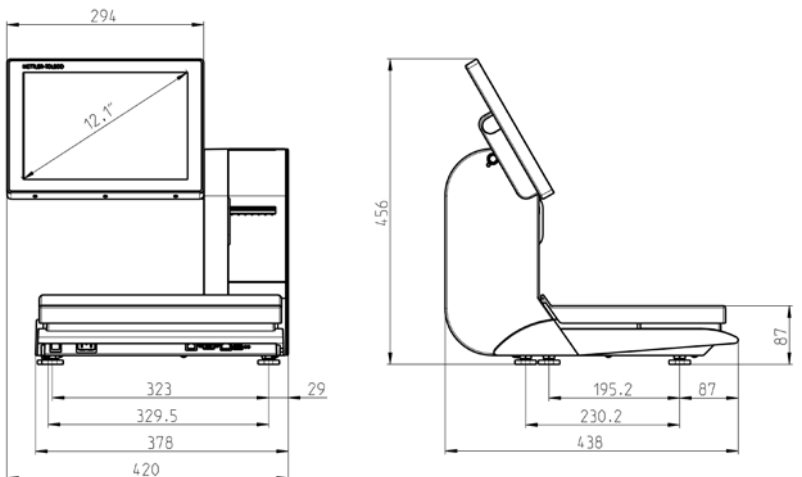
- Windows Embedded Standard 7
- Linux (optional)

**Housing colors**

- Black
- Silver

Weighing range	6 kg	15 kg	3 kg/6 kg	6 kg/15 kg	12 kg	30 kg
Graduation	2 g	5 g	1 g/2 g	2 g/5 g	2 g	5 g
Minimum capacity*	40 g	100 g	20 g	40 g	40 g	100 g

\* EC: Printout under minimum capacity possible, but not with price marking  
Tare adjustment across the entire weighing range, automatic zeroing



ISO 9001 quality management certification  
 ISO 14001 environmental management certification  
 Internet: <http://www.mt.com>  
 Worldwide service

Subject to technical changes.  
 © 05/2011 Mettler-Toledo AG  
 Printed in Germany 22022155  
 Global MarCom Switzerland

[www.mt.com/retail](http://www.mt.com/retail)

For more information

